



FEATURES

- *Simultaneously extend camera control and receive antennas up to 1.5 miles / 2 km with a single hybrid fiber cable*
- *Simultaneously power remote Real Freedom Downconverters and Data Transmitters over hybrid fiber cable*
- *Supports multiple RF cameras in a stadium with a single SMPTE cable*
- *Optional matching low noise active splitters enabling connectivity to multiple Real Freedom Receivers**
- *Advanced fiber monitoring on Real Freedom Receivers*
- *IP67 weatherproof remote and base units*
- *Safe low voltage fiber power*

General Description

The Real Freedom Fiber Antenna Extender provides unparalleled flexibility of operation. Multiple RF cameras incorporating camera control may be deployed from a single remote site utilizing just a single SMPTE hybrid fiber cable. The system consists of a fiber base unit (IFB-3211) which integrates with a Real Freedom Receiver for command and control along with a fiber remote unit (IFR-3211). Both units are fully weatherproof and are linked together by a single SMPTE hybrid or single mode dual fiber cable.

The Real Freedom Fiber Antenna Extender incorporates an SDI/ASI return video channel from the base unit to the remote unit and allows you to simultaneously extend camera control and receive antennas by up to 2 km / 1.5 miles with a single hybrid fiber cable. Providing power to remote Real Freedom Downconverters and Data Transmitters over hybrid fiber cable, the system supports multiple RF cameras with a single SMPTE cable.

The system's intelligent connectivity notifies the Real Freedom Receiver of the presence of the Real Freedom Fiber Antenna Extender within the network, including the status and control of any attached Real Freedom Data Transmitters and Downconverters. Fiber optic signal levels and real-time health check reporting is displayed on the receiver, alerting you when RF performance is affected. Up to six Real Freedom Receivers can be simultaneously supported by a single fiber base unit when utilized with the optional Real Freedom Active UHF Splitter.



For more information about the Real Freedom Fiber Antenna Extender, see <https://www.bsintl.com/>. For further details and pricing, contact the Broadcast Sports International representative in your region.

TECHNICAL SPECIFICATIONS | Real Freedom Fiber Antenna Extender

Real Freedom Fiber Remote Unit (IFR-3211-00)

RF Inputs

Inputs	2
Impedance	75 Ohm
Frequency Range	50 - 850 MHz
Connector	BNC (F)

Fiber Output

Type	SMPTE 311M single mode <i>(Single mode APC available on request)</i>
Connector	LEMO EDW.3K.93C.TLC

Power

Connectors	Via fiber connector or LEMO 0K 2-pin
Aux DC Supply	9-36 V DC (Required for >2km Fiber Length)
LED	Green-Power On Comms OK Red-Fault No Comms

Physical

Size (WxHxD)	(2.95 x 5.47 x 1.14) in (75 x 139 x 29) mm
Weight	1.8 lb. / 0.82 kg
Environmental	Weatherproof to IP67 14° to 149°F / -10° to + 65° C
Mounting	Pole clamp with 1/4" x 20 fittings

Real Freedom Fiber Base Unit (IFB-3211-00)

RF Outputs

Outputs	2 (2x6 with optional ISP-3261)
Impedance	75 Ohm
Frequency Range	50-850 MHz
Connector	BNC (F)

Fiber Input

Connector	SMPTE 311M single mode <i>(Single mode APC available on request)</i>
Connector	LEMO FXW.3K.93C.TLM

Power

DC Supply	9-36 VDC, via LEMO
Connector	LEMO 0K 4-Pin CLL.0K.304.CLLP
DC Fiber Remote Power	36VDC to IEC/EN 60950-1
LED	Green - Power On Comms OK Red - Fault No Comms
DC Supply	9-36VDC, via LEMO
Connector	LEMO 0K 4-Pin CLL.0K.304.CLLP

Physical

Size (WxHxD)	(3.93x5.82x1.9) in (100x148x48.38) mm
Weight	2.75 lb. / 1.251 kg
Environmental	Weatherproof to IP67 14° to 149°F / -10° to + 65° C
Mounting	Pole clamp with 1/4" x 20 fittings

NOTE: Specifications are subject to change without notice.

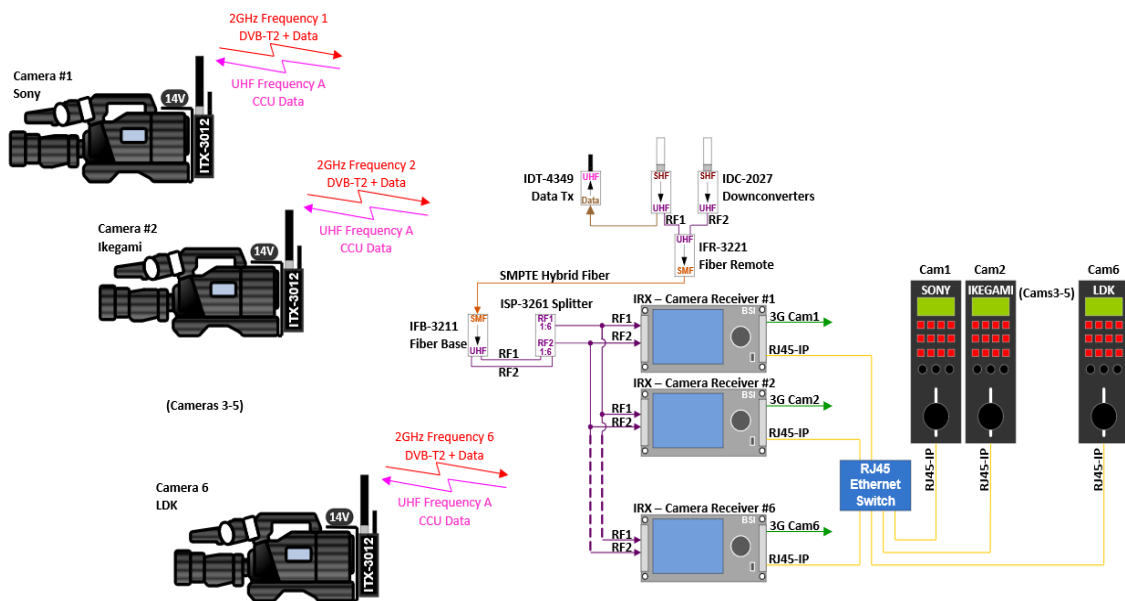


Figure: Networked multi camera reception with remote fiber extender and active splitter