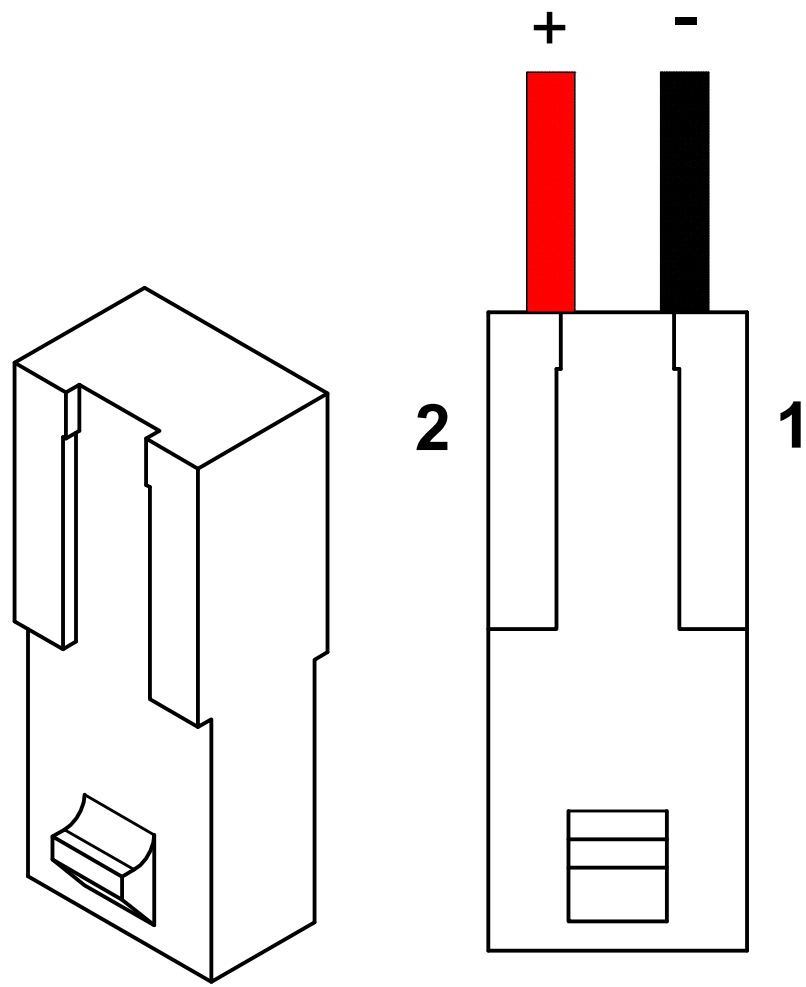
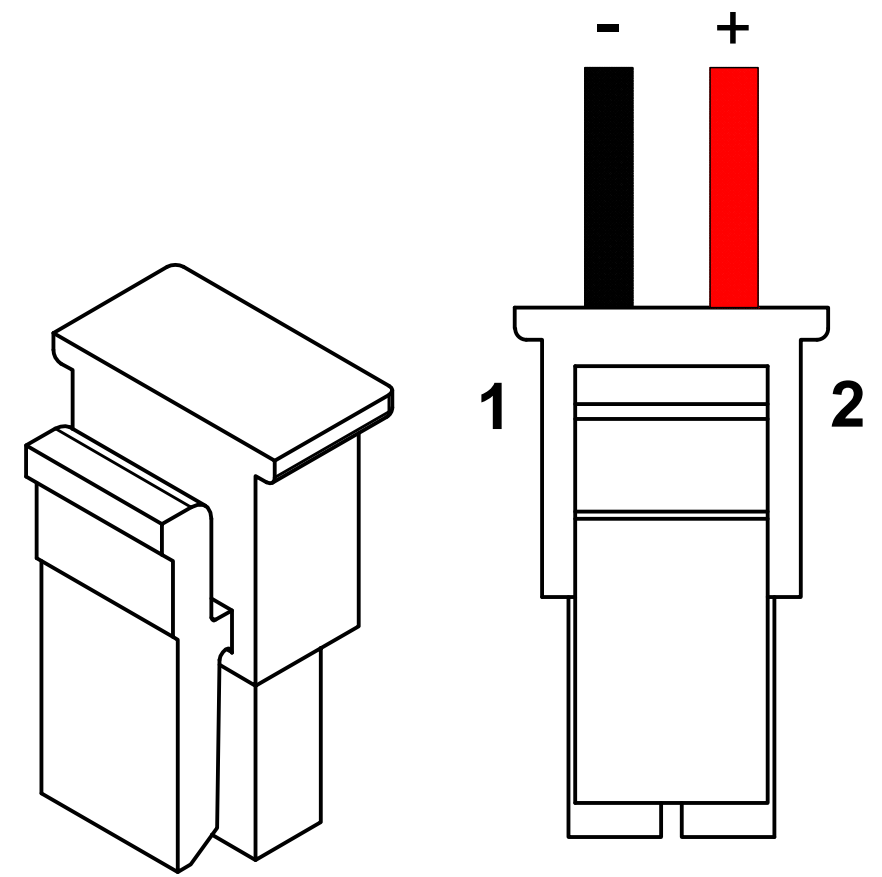


REVISIONS				
ZONE	LTR	DESCRIPTION	DATE	APPROVED



MOLEX 43640-0201
PINS: 43031-0001



MOLEX 43645-0200
PINS: 43030-0038

NOTES:

1. FOLLOW WIRING SHEMATIC ABOVE WITH GROUND ON PIN 1 AND POWER ON PIN 2
2. WHENEVER POSSIBLE, USE FEMALE CONNECTOR 43645-0200 AS THE POWER TRANSMIT CONNECTOR
USE MALE CONNECTOR 43640-0201 AS THE POWER RECEIVE SIDE.

DRAWN: 5/19/2023 luke.moloznik		BROADCAST SPORTS INTERNATIONAL, LLC. 7455 Race Road, Hanover, MD 21076, USA, Phone: (410) 564-2600
CHECKED:		
APPROVED:		
THE CONTENTS OF THIS DOCUMENT ARE PROPRIETARY TO BROADCAST SPORTS INTERNATIONAL, LLC. AND SHALL NOT BE DISCLOSED, DISSEMINATED, COPIED, OR USED EXCEPT FOR PURPOSES EXPRESSLY AUTHORIZED IN WRITING BY BROADCAST SPORTS INTERNATIONAL, LLC.		
SIZE B	DRAWING NUMBER N/A	REV 1
SCALE	THIRD ANGLE PROJECTION	SHEET 1 OF 1